

Consumer Cellular®

[Consumer Cellular.com](https://www.ConsumerCellular.com)

© 2023 Consumer Cellular, Inc. Consumer Cellular and the Consumer Cellular logo are trademarks of Consumer Cellular, Inc. The Bluetooth wordmark and logos are registered trademarks owned by the Bluetooth SIG, Inc. and any use of such marks is under license. Other trademarks and trade names are the property of their respective owners.

IRIS 

QUICK START GUIDE

Consumer Cellular®

Welcome!

This guide will help you get the most out of your new phone. You'll find instructions to help you begin using your device.

If you need more assistance, feel free to contact us by using the contact information listed below. We're always happy to help you!

Need More Information?

Visit our website at [Consumer Cellular.com/Help](https://Consumer.Cellular.com/Help)

Call us at (888) 835-6047

WHAT'S IN THE BOX

Your IRIS Flip contains the following items:

- IRIS Flip
- USB-C data cable
- USB-C wall charger
- Documentation

GETTING TO KNOW YOUR PHOHE



GETTING STARTED

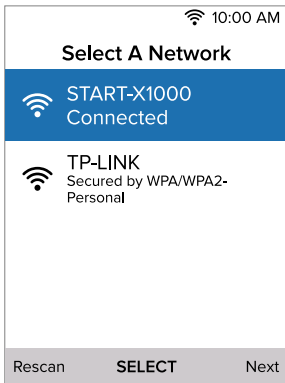
Initial Setup (First time)

The Setup Wizard built into your phone will guide you through the initial setup process.

Activate the eSIM (electronic SIM)

Your IRIS Flip comes with an eSIM and no physical SIM is needed to activate your service. To activate your eSIM, turn on your phone and follow these steps:

1. Select your language and select the keyboard.
2. Select your Wi-Fi network from the list.

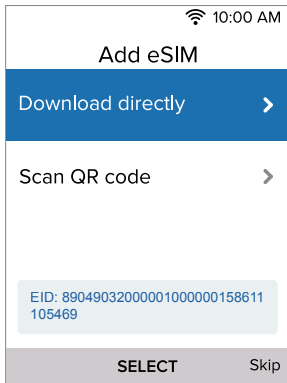




IMPORTANT: You must be connected to WiFi with internet connection to activate the eSIM.

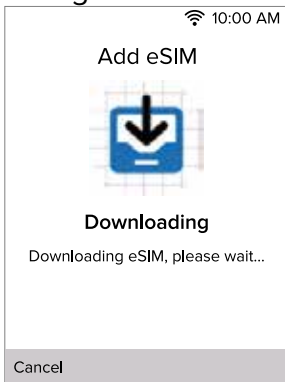
3.Add an eSIM


You can add the eSIM by **Download directly** or **Scan QR code**. Please start with **Download directly**.



3.1 Add eSIM through **Download directly**.

Select **Download directly**, your phone will start downloading eSIM from SM-DP+, the download maybe take one minute or so depending on the Wi-Fi network condition.



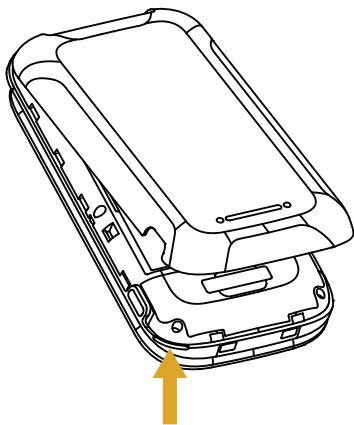
 The eSIM will be enabled once eSIM download is finished, then device will **reboot automatically**. After the reboot connect to the WiFi network again and continue the setup.

Scan QR code if **Download directly** fails. If you are prompted to scan a QR code, find it in your Consumer Cellular packing slip or email if purchased at a retailer.

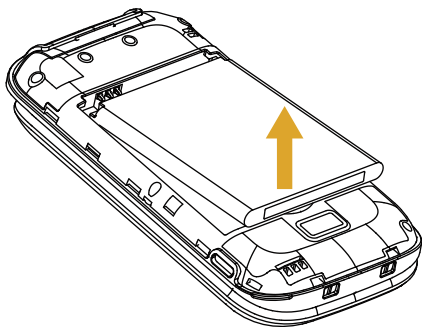
NOTE: Your setup may be different than the instructions in this Quick Start Guide because of software updates or if you choose different options. If the steps are different, just follow your phone's on-screen instructions for setup.

Open the back cover

1. Put your fingernail in the small slot at the bottom of the phone, lift and remove the cover.



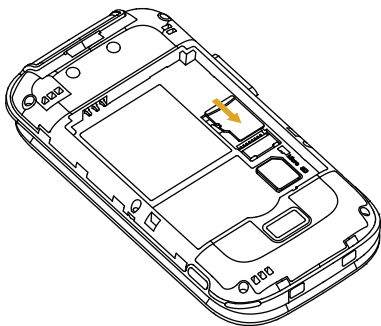
2.If the battery is in the phone, lift it out.



Installing a memory Card (Not Included)

1. Insert the SD card in the direction shown.
2. Put back the battery.
3. Put back the back cover.

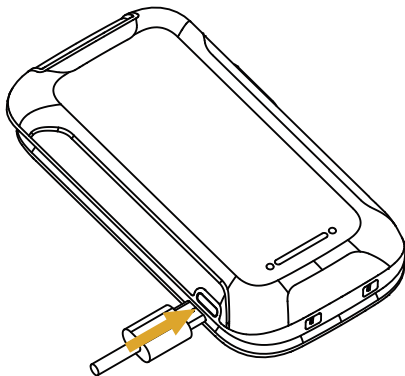
NOTE: Use a microSD memory card (up to 32 GB).



Charging the Phone

Your phone's battery should have enough power for the phone to through initial startup and make calls. You should fully charge the battery as soon as possible.

Important! Use only approved chargers and USB cables.



KEYPAD

Use the phone keys

- To open the apps list, press the navigation key.
- To open an app or select a feature, press the scroll key right, left, up, or down to scroll to the app or feature, and press the scroll key to select **OK** button.
- To go back to the previous view, press the back key.
- To go back to the home screen, press the power/end key once quickly.

Lock the keypad

To lock your keys simply close the fold.

Inputting with the keypad

Typing text

- Press a key repeatedly until the letter is shown. For example: To type the letter “c” press the 3 button 3 times to see the letter “c”.
- To type in a space, press 0 button.

- To type in a special character or punctuation mark, press * button and choose the special character or punctuation mark.
- To switch between lower & upper case, press # button and choose the case you want.
- To type in a number, press and hold that number key for 2 seconds.

INTERNET AND CONNECTIONS

Connect to the internet

1. Press down on the navigation key to open the menu and select **Internet**.
2. Select to search the Internet.
3. Write a web address, and select **Go**.
4. Use the scroll key to move the mouse cursor in the browser.

Switch on Bluetooth

1. Press down on the navigation key to open the menu and select **Settings > Network & Connectivity > Bluetooth**.
2. Turn Bluetooth to **On**.
3. Select **Nearby devices** to find a new device or **Paired devices** to find a device you have paired your phone with previously.

Switch on Wi-Fi

1. Press down on the navigation key to open the menu and select **Settings > Network & Connectivity > Wi-Fi**.
2. Switch Wi-Fi to **On**.
3. Select **Available networks** and the network you want, enter a password if needed, and select **Connect**.

PHONE CALLS

Make a call

Learn how to make a call with your new phone.

1. Type in the phone number. To type in the + character, used for international calls, and press * button twice.
2. Press **CALL**.
3. To end the call, press **PWR END**.

Answering a call

When you receive a phone call, press **CALL** or the **Left Navigation Key** to answer the call.


Reject a Call

When you receive a phone call, press **PWR END** or the **Right Navigation Key** to reject the call.

Press the navigation key and select options to reject the call and send a text message to the caller.

CONTACTS

Add a contact

1. Press the navigation key right from the home screen to open **Contacts**.
2. Select **New**.
3. Enter the contact details.
4. Select **SAVE**.
5. Press  to add your favorite contacts.

Transfer contacts from your old phone

To add contacts from your Gmail or Outlook account or your memory card to your new phone, select **Contacts** > **Options** > **Settings** > **Import Contacts** and the relevant option.

To add contacts from your old phone using Bluetooth:

1. On your new phone, select **Settings** > **Network & Connectivity** > **Bluetooth** > **On**.
2. Switch on Bluetooth on your old phone and send the needed contacts to your new phone using Bluetooth.
3. On your new phone, accept the transfer request.
4. On the home screen, select **Notices** > **Files received** > **Import**.

Call a contact

You can call a contact directly from the contacts list.

1. Press the scroll key, and select **Contacts** .
2. Scroll to a contact and press **CALL**.

SEND MESSAGES

Write and send messages

1. Press the navigation key down from the home screen, and select **Messages > New**.
2. In the To field, press # button until you are able to enter numbers and then type in a phone number, or select **Contacts** to add a contact from your contacts list.
3. Write your message. If you need to remove a character, press the back key.
4. Select **SEND**.

SEND MAIL

Add an email account

When you use the Email app for the first time, you will be asked to set up your email account.

1. Press the scroll key and select E-mail.
2. Select **Next** and then type in your name and email address.
3. Select **Next** and type in your password.

Write an email

1. Press the scroll key and select E-mail.
2. Select **Compose**.
3. In the To field, type in an email address.
4. Type in the message subject and then compose your email.
5. Select **Send**.

PHOTOS AND VIDEOS

Take a photo

1. To switch on the camera, press down on the navigation key to open the menu, and select **Camera**.

2. To take a photo, press the scroll key.

To view the photo right after taking it, select **Preview**. To view the photo later, on the home screen, press the scroll key, and select **Gallery**.

Record a video

1. Press down on the navigation key to open the menu, and select **Camera**.

2. To start recording, scroll right and press the scroll key.

3. To stop recording, press the scroll key.

To view the video right after recording, select **Preview**. To watch the video later, on the home screen, press the scroll key and select **Video**.

PERSONALISE YOUR PHONE

Change the ringtone

1. Press down on the navigation key to open the menu, and select **Settings**.
2. Scroll right to **Personalization** and select **Sound > Tones > Ringtones**.
3. Scroll to a ringtone and press the scroll key.

Change the look of your home screen

You can change the background of your home screen.

1. Press down on the navigation key to open the menu, and select **Settings** .
2. Scroll right to **Personalization** and select **Display > Wallpaper**.
3. Select **Camera** to take a new photo for the wallpaper, **Gallery** to choose a wallpaper from the photos on your phone, or **Wallpaper** to select from pre-defined wallpapers.

Use the accessibility mode

With the accessibility mode, the text on the phone display is bigger and the alerts louder, you can also use the TTY mode or HAC function.

When you want to read bigger text on the display:

1. Press down on the navigation key to open the menu and select **Settings**.
2. Scroll right to **Device**, and select **Accessibility > Large text > On**.

SAFETY PRECAUTIONS

- Do not disassemble or open crush, bend or deform, puncture or shred.
- Do not modify or remanufacture, attempt to insert foreign objects into the battery, immerse or expose to water or other liquids, expose to fire, explosion or other hazard.
- Only use the battery with a charging system that has been qualified with the system per CTIA Certification Requirements for Battery System Compliance to IEEE 1725. Use of an unqualified battery or charger may present a risk of fire, explosion, leakage, or other hazard.
- Replace the battery only with another battery that has been qualified with the system per this standard, IEEE-Std-1725. Use of an unqualified battery may present a risk of fire, explosion, leakage or other hazard.
 - Only authorized service providers shall replace battery.
(If the battery is non-user replaceable).
- Promptly dispose of used batteries in accordance with local regulations.

- Avoid dropping the phone or battery. If the phone or battery is dropped, especially on a hard surface, and the user suspects damage, take it to a service center for inspection.
- Improper battery use may result in a fire, explosion or other hazard.

FCC RF Exposure Information (SAR)

This phone is designed and manufactured not to exceed the emission limits for exposure to radio frequency (RF) energy set by the Federal Communications Commission of the United States.

During SAR testing, this device was set to transmit at its highest certified power level in all tested frequency bands, and placed in positions that simulate RF exposure in usage against the head with no separation, and near the body with the separation of 15 mm. Although the SAR is determined at the highest certified power level, the actual SAR level of the device while operating can be well below the maximum value.

This is because the phone is designed to operate at multiple power levels so as to use only the power required to reach the network. In general, the closer you are to a wireless base station antenna, the lower the power output. The exposure standard for wireless devices employing a unit of measurement is known as the Specific Absorption Rate, or SAR. The SAR limit set by the FCC is ~~XXXXXX~~ W/kg. This device is complied with SAR for general population / uncontrolled exposure limits in ANSI/IEEE C95.1-1992 and had been tested in accordance with the measurement methods and procedures specified in IEEE1528. The FCC has granted an Equipment Authorization for this model phone with all reported SAR levels evaluated as in compliance with the FCC RF exposure guidelines. SAR information on this model phone is on file with the FCC and can be found under the Display Grant section of www.fcc.gov/oet/ea/fccid after searching on FCC ID: 2AWF6-SH3320 .

For this device, the highest reported SAR value for usage against the head is ***** W/kg, and for usage near the body is ***** W/kg.

While there may be differences between the SAR levels of various phones and at various positions, they all meet the government requirements.

SAR compliance for body-worn operation is based on a separation distance of 15 mm between the unit and the human body. Carry this device at least 15 mm away from your body to ensure RF exposure level compliant or lower to the reported level. To support body-worn operation, choose the belt clips or holsters, which do not contain metallic components, to maintain a separation of 15 mm between this device and your body.

RF exposure compliance with any body-worn accessory, which contains metal, was not tested and certified, and using such body-worn accessory should be avoided.

FCC COMPLIANCE

This device complies with part 15 of the FCC rules.

Operation is subject to the following two conditions:(1) this device may not cause harmful interference, and (2) this device must accept any interference received, including interference that may cause undesired operation.

NOTE: The manufacturer is not responsible for any radio or TV interference caused by unauthorized modifications or changes to this equipment. Such modifications or changes could void the User's authority to operate the equipment.

NOTE: This equipment has been tested and found to comply with the limits for a Class B digital device, pursuant to part 15 of the FCC Rules. These limits are designed to provide reasonable protection against harmful interference in a residential installation. This equipment generates uses and can radiate radio frequency energy and, if not installed and used in accordance with the instructions, may cause harmful interference to radio communications. However, there is no guarantee that interference will not occur in a particular installation. If this equipment does cause harmful interference to radio or television reception,

which can be determined by turning the equipment off and on, the user is encouraged to try to correct the interference by one or more of the following measures:

- Reorient or relocate the receiving antenna.
- Increase the separation between the equipment and receiver.
- Connect the equipment into an outlet on a circuit different from that to which the receiver is connected.
- Consult the dealer or an experienced radio/TV technician for help.

Federal Communication Commission (FCC) Radiation Exposure Statement.

When using the product, maintain a distance of 20cm from the body to ensure compliance with RF exposure requirements.

